

NOTES:

1. REFER TO APPLICABLE SYMBOL LIST.
2. DIMENSIONING AND TOLERANCING PER ANSI Y14.5, 1973.
3. TWO LEADS.
4. SQUARE OR RADIUS ON END OF TERMINAL OPTIONAL.
5. TWO HOLES.
6. BOTH ENDS.
7. FIGURE 1 LEAD CONFIGURATION APPLICABLE.
8. DATUM SURFACE $\boxed{-B-}$ IS SEATING PLANE.
9. DIMENSIONS $\boxed{-\phi p-}$ & $\boxed{-\phi p_1-}$ ARE DATUMS.
10. POSITIONAL TOLERANCE FOR ϕD :
 $\boxed{\phi .25 \text{ (M) B } \phi p_1 \text{ (M) } \phi R \text{ (M)}}$
11. CONTROLLING DIMENSION: MILLIMETERS.

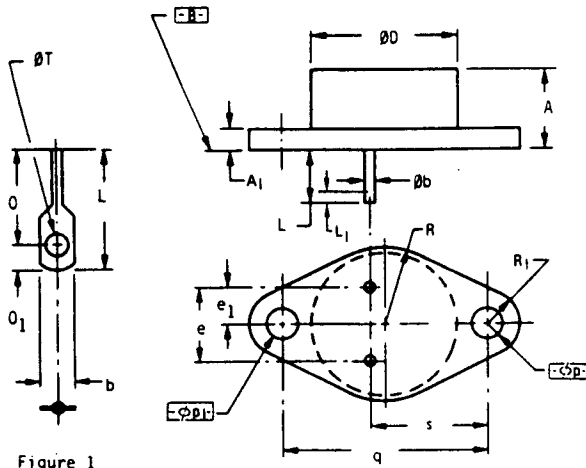


Figure 1

VARIATIONS (ALL DIMENSIONS SHOWN IN MILLIMETERS)

SYMBOL	AA		NOTE	AB		NOTE	AC		NOTE	AD		NOTE
	MIN.	MAX.		MIN.	MAX.		MIN.	MAX.		MIN.	MAX.	
	A	6.4		11.4			6.4	11.4			6.4	
A1	-	3.42		-	3.42		1.53	3.42		1.53	3.42	
b	-	-		3.18	5.33		-	-		-	-	
Øb	.966	1.092	3	-	-		.991	1.092	3	1.22	1.35	3
ØD	-	22.22		-	22.22		-	21.08		-	22.22	
e	10.67	11.17		10.67	11.17		10.67	11.17		10.67	11.17	
e1	5.21	5.71		5.21	5.71		5.21	5.71		5.21	5.71	
L	7.93	-	3	14.3	17.2	3	11.18	12.19	3	8.13	10.67	3
L1	-	-		-	-		-	1.27		-	-	
O	-	-		12.70	14.75		-	-		-	-	
O1	-	-		1.83	4.31	4	-	-		-	-	
Øp	3.84	4.19	5,9	3.84	4.19	5,9	3.84	4.19	5,9	3.84	4.19	5,9
Øp1	3.84	4.19	5,9	3.84	4.19	5,9	3.84	4.19	5,9	3.84	4.19	5,9
q	30.15	BSC		30.15	BSC		30.15	BSC		30.15	BSC	
R	-	13.33		-	13.33		12.58	13.33		12.58	13.33	
R1	-	4.77	6	-	4.77	4	3.33	4.77	6	3.33	4.77	6
s	16.64	17.14		16.64	17.14		16.64	17.14		16.64	17.14	
ØT	-	-		1.83	3.04		-	-		-	-	
NOTE	1,2,8,9,10,11			1,2,7,8,9,10,11			1,2,8,9,10,11			1,2,8,9,10,11		
REF.	TO-3			TO-41								
ISSUE	C NOV. 82			C NOV. 82			C NOV. 82			c NOV. 82		
JEDEC SOLID STATE PRODUCT OUTLINES			TITLE FLANGE MOUNTED HEADER FAMILY 10.922 PIN SPACING			ISSUE C		DATE NOV. 82		TO-204 VARIATION AA-AD		

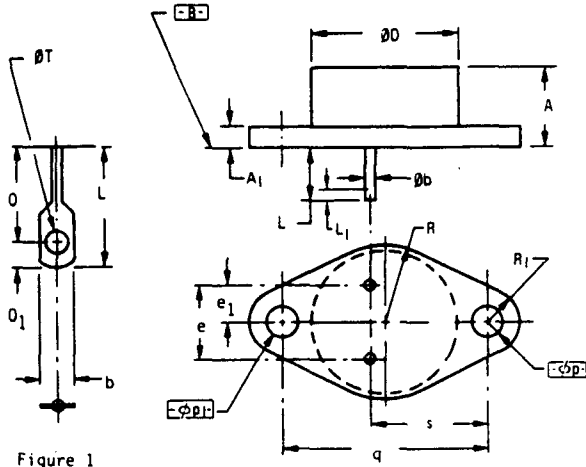


Figure 1

NOTES :

1. REFER TO APPLICABLE SYMBOL LIST.
2. DIMENSIONING AND TOLERANCING PER ANSI Y14.5, 1973.
3. TWO LEADS.
4. SQUARE OR RADIUS ON END OF TERMINAL OPTIONAL.
5. TWO HOLES.
6. BOTH ENDS.
7. FIGURE 1 LEAD CONFIGURATION APPLICABLE.
8. DATUM SURFACE [-B-] IS SEATING PLANE.
9. DIMENSIONS [-Øp-] & [-Øp1-] ARE DATUMS
10. POSITIONAL TOLERANCE FOR ØD:
 $\phi \phi .010 \text{ B } \phi p1 \text{ (M) } \phi R \text{ (M)}$
11. CONTROLLING DIMENSION: INCH.

VARIATIONS (ALL DIMENSIONS SHOWN IN INCHES)

SYMBOL	AA		NOTE	AB		NOTE	AC		NOTE	AD		NOTE
	MIN.	MAX.		MIN.	MAX.		MIN.	MAX.		MIN.	MAX.	
	A	.250		.450			.250	.450			.250	
A1	-	.135		-	.135		.060	.135		.060	.135	
b	-	-		.125	.210		-	-		-	-	
Øb	.038	.043	3	-	-		.039	.043		.048	.053	3
ØD	-	.875		-	.875		-	.830		-	.875	10
e	.420	.440		.420	.440		.420	.440		.420	.440	
e1	.205	.225		.205	.225		.205	.225		.205	.225	
L	.312	-	3	.560	.680	3	.440	.480	3	.320	.420	3
L1	-	-		-	.050		-	-		-	-	
O	-	-		.500	.581		-	-		-	-	
O1	-	-		.072	.170		-	-		-	-	
Øp1	.151	.165	5,9	.151	.165	5,9	.151	.165	5,9	.151	.165	5,9
Øp1	.151	.165	5,9	.151	.165	5,9	.151	.165	5,9	.151	.165	5,9
q	1.187	BSC		1.187	BSC		1.187	BSC		1.187	BSC	
R	--	.525		--	.525		.495	.525		.495	.525	
R1	--	.188	6	--	.188	6	.131	.188	6	.131	.188	6
s	.655	.675		.655	.675		.655	.675		.655	.675	
ØT	--	--		.072	.120		--	--		--	--	
NOTE	1,2,8,9,10,11			1,2,7,8,9,10,11			1,2,8,9,10,11			1,2,8,9,10,11		
REF.	TO-3			TO-41								
ISSUE	C NOV. 82			C NOV. 82			C NOV. 82			C NOV. 82		
JEDEC SOLID STATE PRODUCT OUTLINES			TITLE FLANGE MOUNTED HEADER FAMILY .430 PIN SPACING			ISSUE C		DATE NOV. 82		TO-204 VARIATION AA-AD		

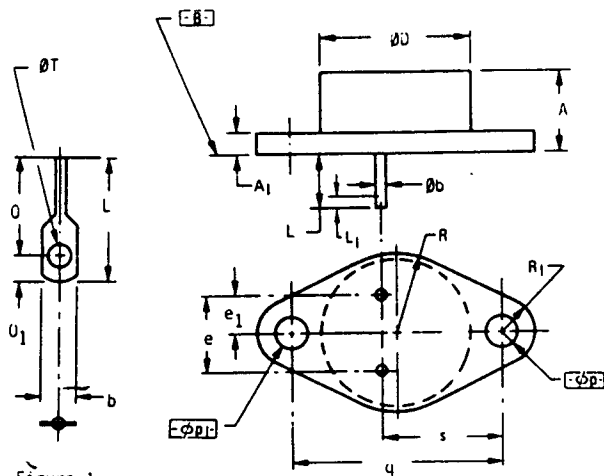


Figure 1

NOTES :

1. REFER TO APPLICABLE SYMBOL LIST.
2. DIMENSIONING AND TOLERANCING PER ANSI Y14.5, 1973.
3. TWO LEADS.
4. SQUARE OR RADIUS ON END OF TERMINAL OPTIONAL.
5. TWO HOLES.
6. BOTH ENDS.
7. FIGURE 1 LEAD CONFIGURATION APPLICABLE.
8. DATUM SURFACE [-B-] IS SEATING PLANE.
9. DIMENSIONS [-Øp-] & [-Øp1-] ARE DATUMS.
10. POSITIONAL TOLERANCE FOR ØD:
 $\text{M} \begin{matrix} \oplus \\ \ominus \end{matrix} \text{Ø} .25 \text{ M} \text{B} \begin{matrix} \oplus \\ \ominus \end{matrix} \text{Øp1} \begin{matrix} \oplus \\ \ominus \end{matrix} \text{Øp1} \begin{matrix} \oplus \\ \ominus \end{matrix} \text{Øp1}$
11. CONTROLLING DIMENSION: MILLIMETERS.

VARIATIONS (ALL DIMENSIONS SHOWN IN MILLIMETERS)

SYMBOL	AE		NOTE			NOTE			NOTE			NOTE
	MIN.	MAX.		MIN.	MAX.		MIN.	MAX.		MIN.	MAX.	
A	6.4	11.4										
A ₁	1.53	3.42										
b	-	-										
Øb	1.45	1.60	3									
ØD	-	22.22										
e	10.67	11.17										
e ₁	5.21	5.71										
L	11.18	12.19										
L ₁	-	-										
O	-	-										
O ₁	-	-										
Øp ₁	3.84	4.19	5,9									
Øp ₁	3.84	4.19	5,9									
q	30.15	BSC										
R	12.58	13.33										
R ₁	3.33	4.77	6									
s	16.64	17.14										
ØT	-	-										
NOTE	1,2,8,9,10,11											
REF.												
ISSUE	B NOV. 82											

JEDEC SOLID STATE PRODUCT OUTLINES	TITLE FLANGE MOUNTED HEADER FAMILY 10.922 PIN SPACING	ISSUE B	DATE NOV. 82	T0-204
				VARIATION AE

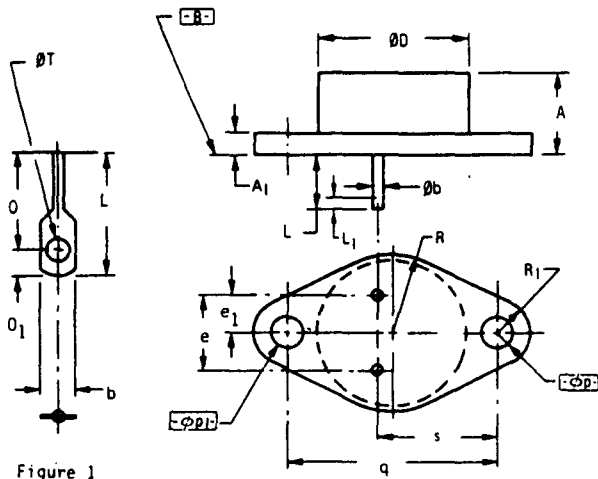


Figure 1

NOTES:

1. REFER TO APPLICABLE SYMBOL LIST.
2. DIMENSIONING AND TOLERANCING PER ANSI Y14.5, 1973.
3. TWO LEADS.
4. SQUARE OR RADIUS ON END OF TERMINAL OPTIONAL.
5. TWO HOLES.
6. BOTH ENDS.
7. FIGURE 1 LEAD CONFIGURATION APPLICABLE.
8. DATUM SURFACE **-B-** IS SEATING PLANE.
9. DIMENSIONS **-Øp-** & **-Øp1-** ARE DATUMS.
10. POSITIONAL TOLERANCE FOR ØD:
 $\phi \phi .010 \text{ (M) B } \phi p1 \text{ (M) } \phi p1 \text{ (M)}$
11. CONTROLLING DIMENSION: INCH.

SYMBOL	VARIATIONS (ALL DIMENSIONS SHOWN IN INCHES)												
	AE		NOTE			NOTE			NOTE			NOTE	
	MIN.	MAX.		MIN.	MAX.		MIN.	MAX.		MIN.	MAX.		
A	.250	.450											
A ₁	.060	.135											
b	-	-											
Øb	.057	.063	3										
ØD	-	.875											
e	.420	.440											
e ₁	.205	.225											
L	.440	.480											
L ₁	-	-											
O	-	-											
O ₁	-	-											
Øp1	.151	.165	5,9										
Øp ₁	.151	.165	5,9										
q	1.187	BSC											
R	.495	.525											
R ₁	.131	.188	6										
s	.655	.675											
ØT	-	-											
NOTE	1,2,8,9,10,11												
REF.													
ISSUE	B NOV. 82												
JEDEC SOLID STATE PRODUCT OUTLINES				TITLE FLANGE MOUNTED HEADER FAMILY .430 PIN SPACING				ISSUE B		DATE NOV. 82		T0-204 VARIATION AE	